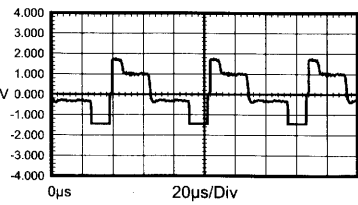
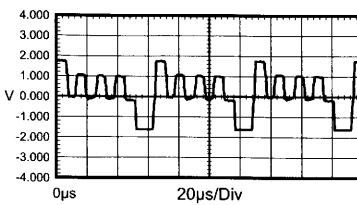


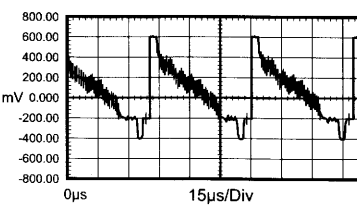
WF 6



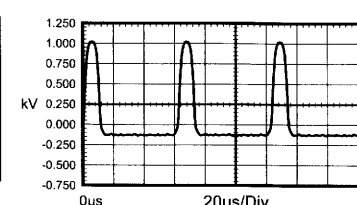
WF 7



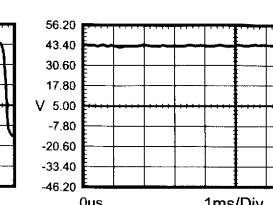
WF 8



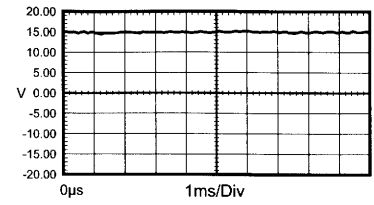
WF 9



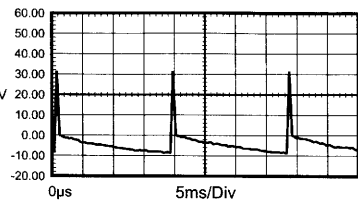
WF 10



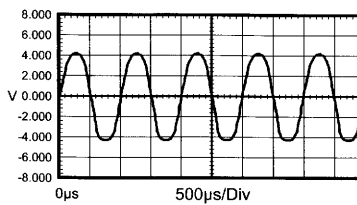
WF 11



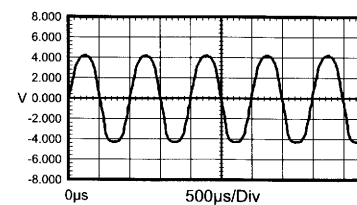
WF 12



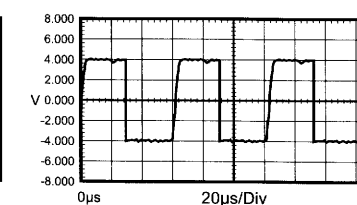
WF 13



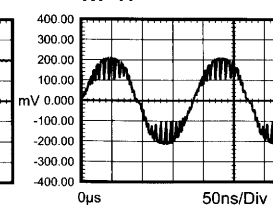
WF 14



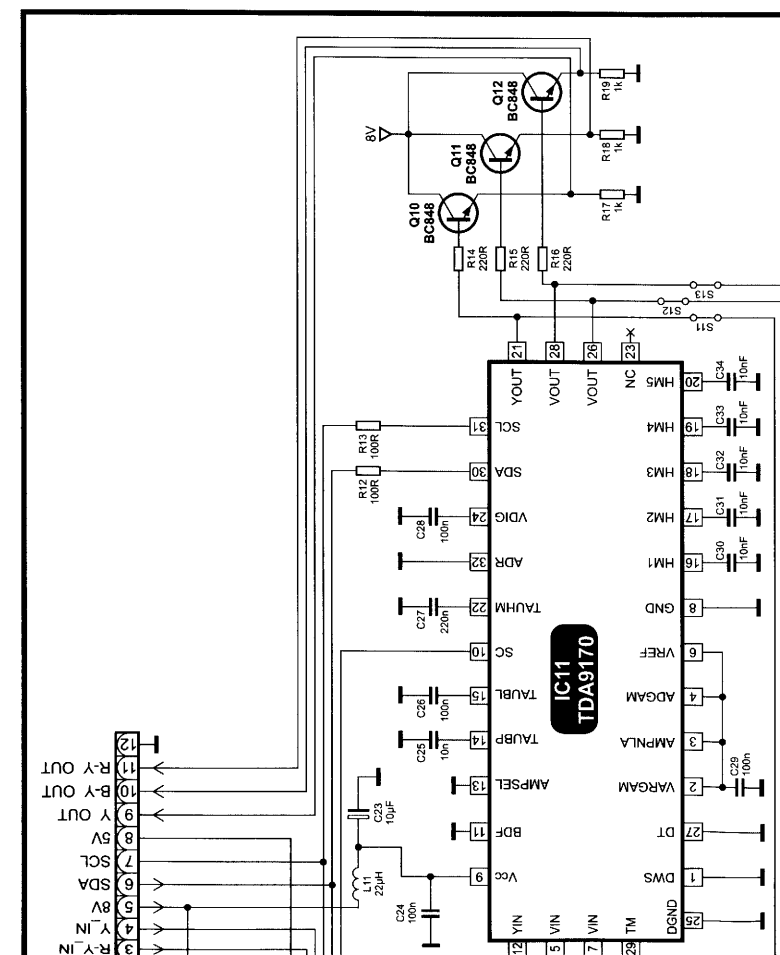
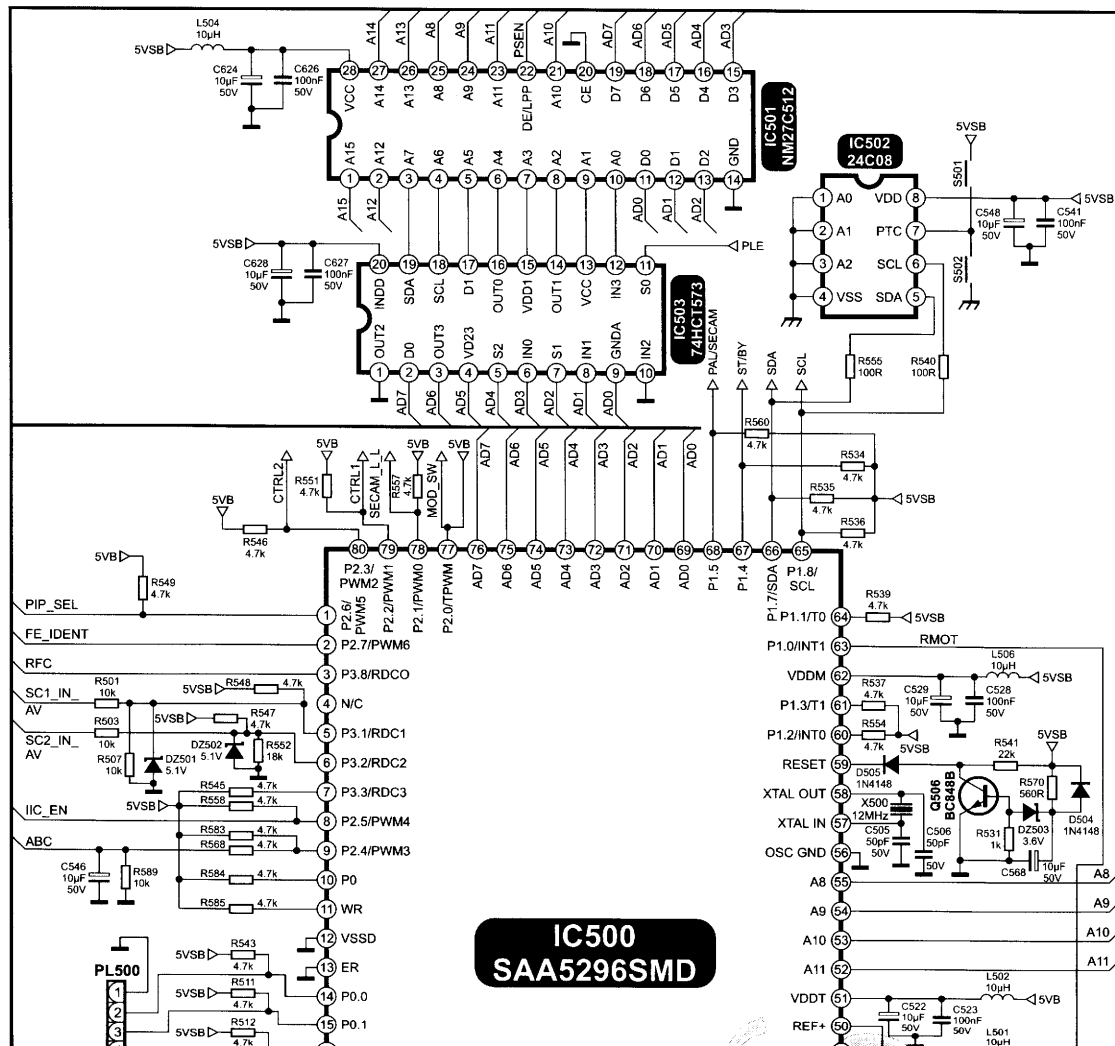
WF 15

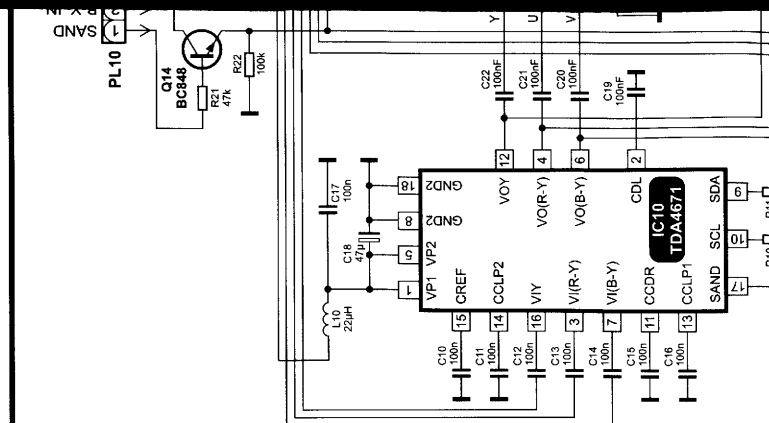
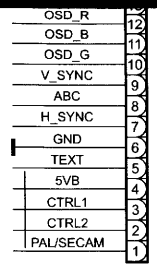
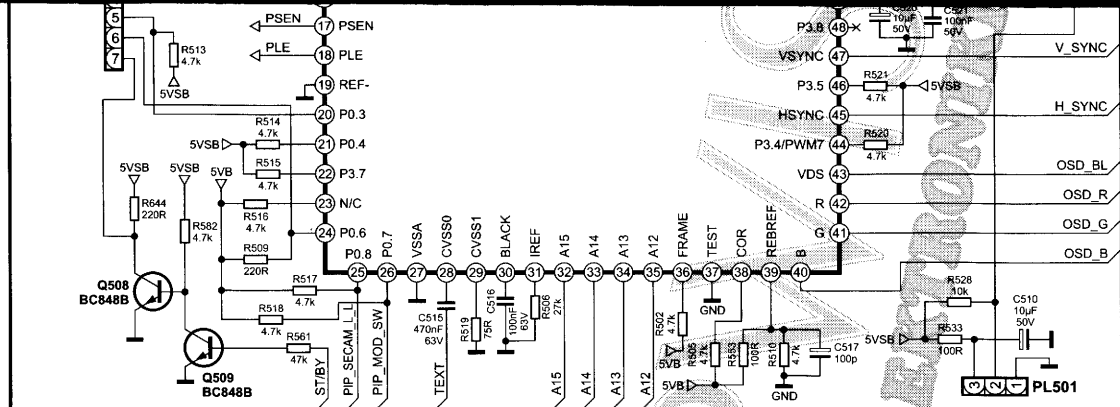


WF 16



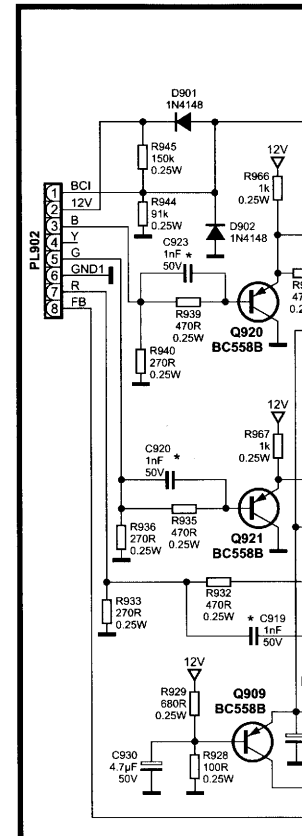
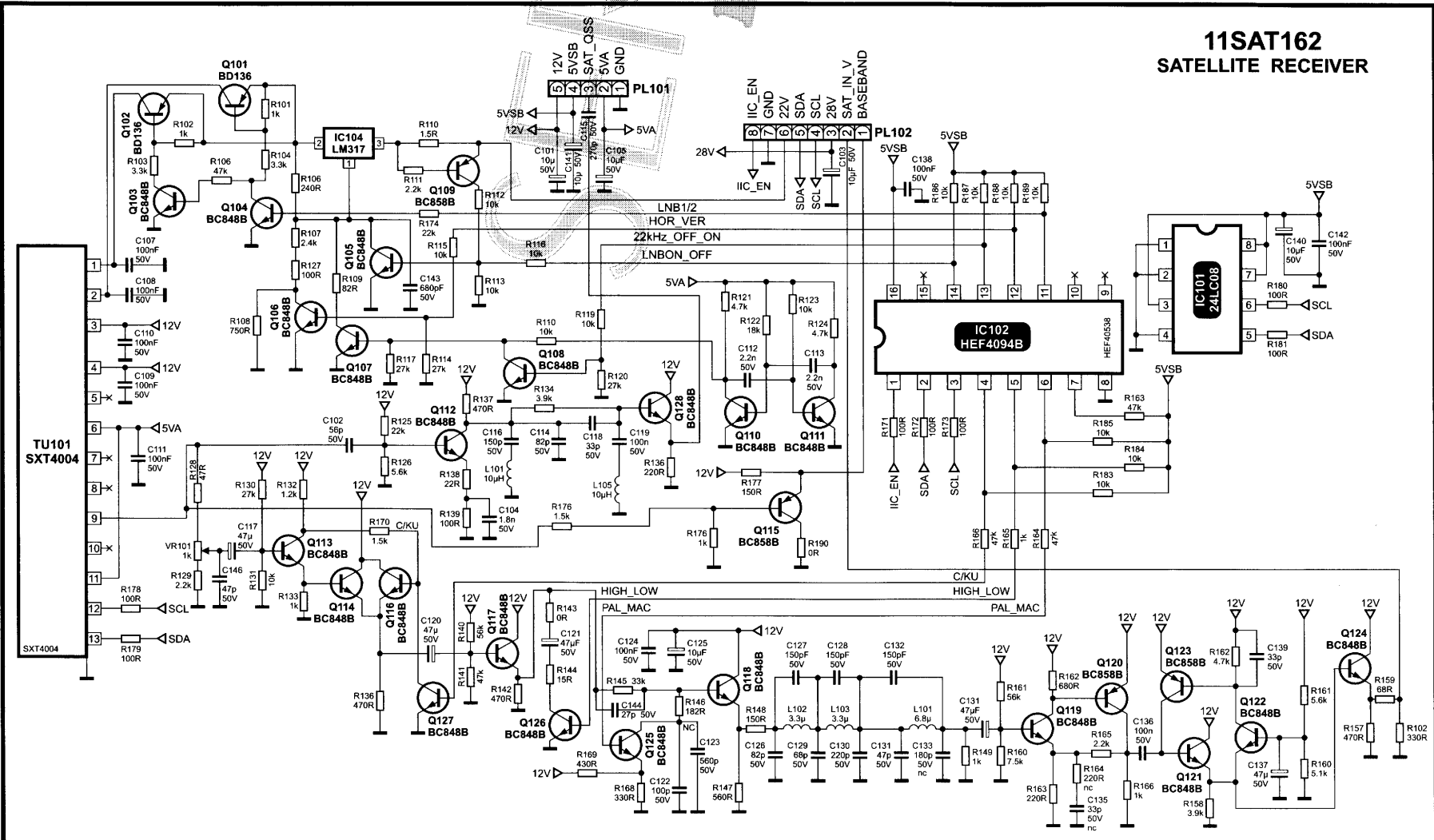
WF 17



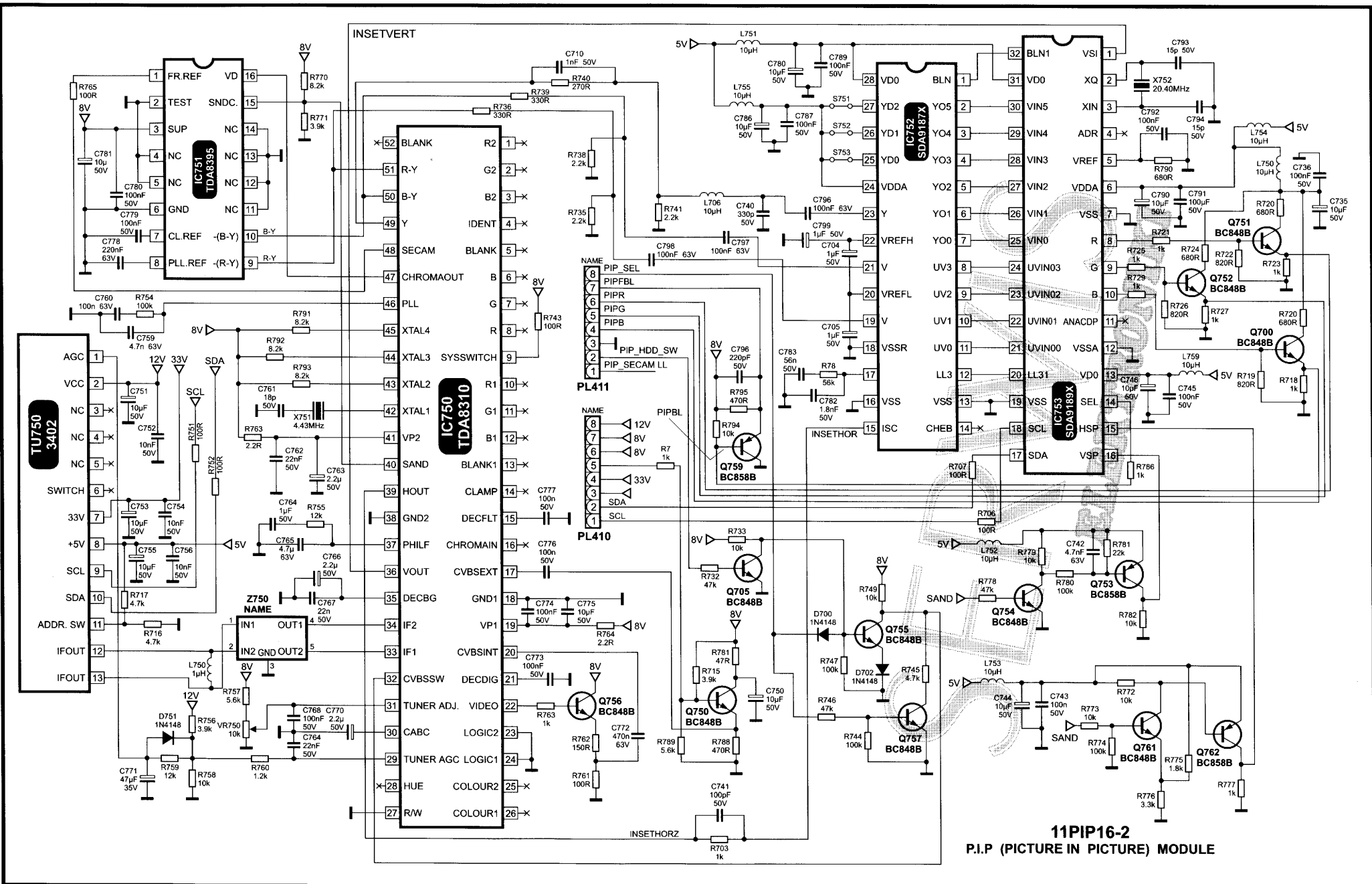
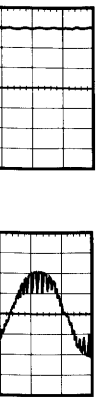


### 11MC16 CONTROLLER MODULE

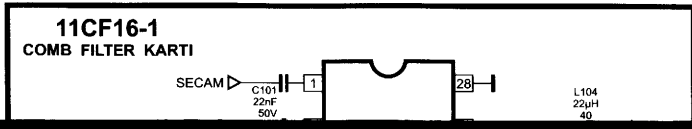
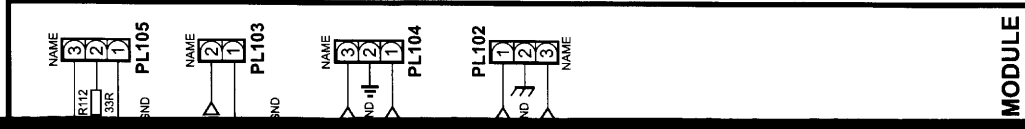
### 11SAT162 SATELLITE RECEIVER

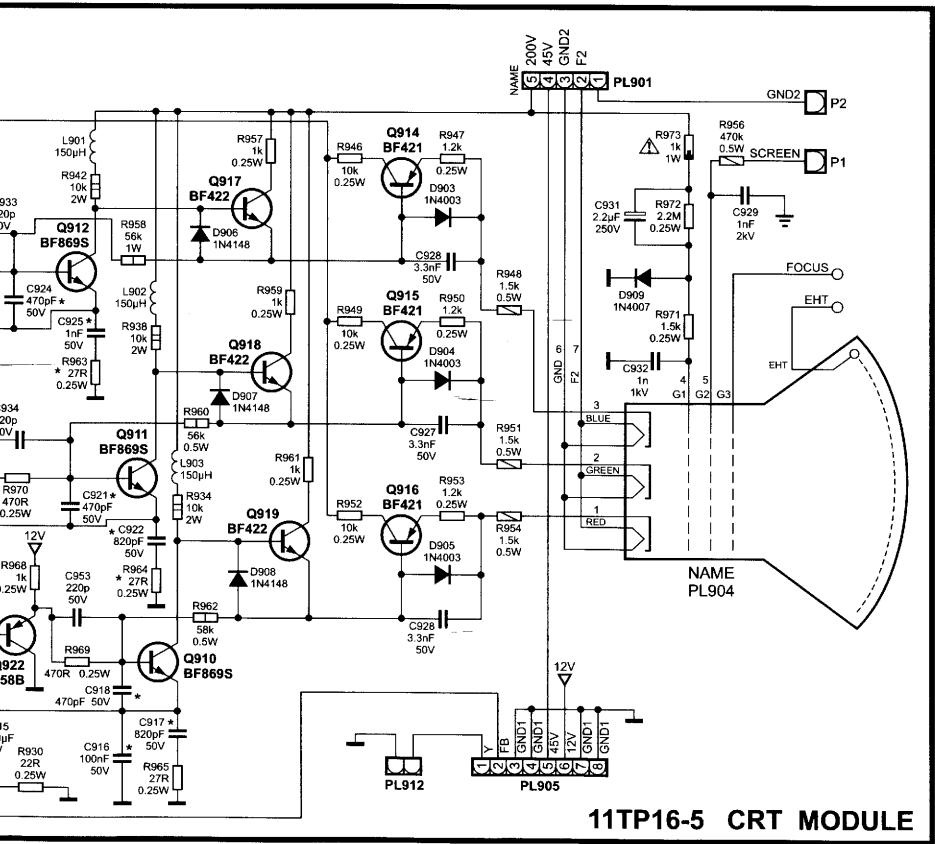
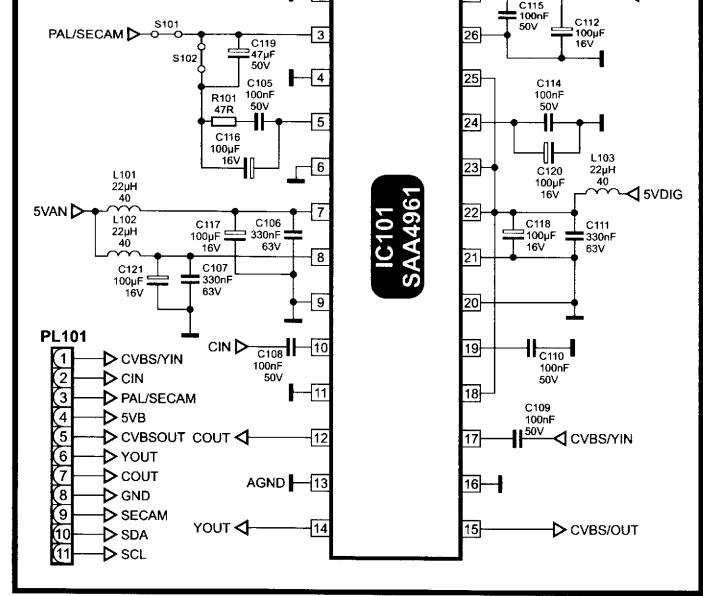
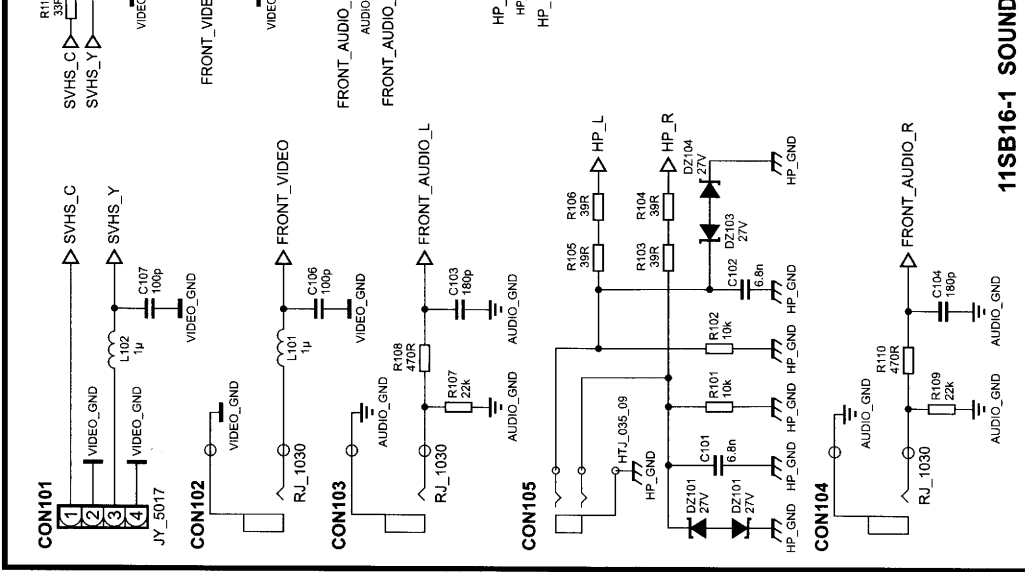


11YUV16  
PSI & PICTURE BOOSTER

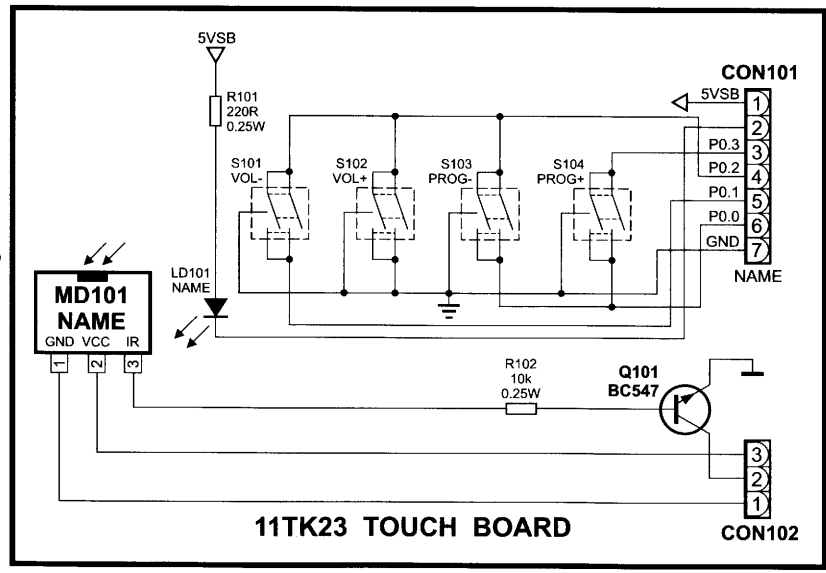


11PIP16-2  
P.I.P. (PICTURE IN PICTURE) MODULE



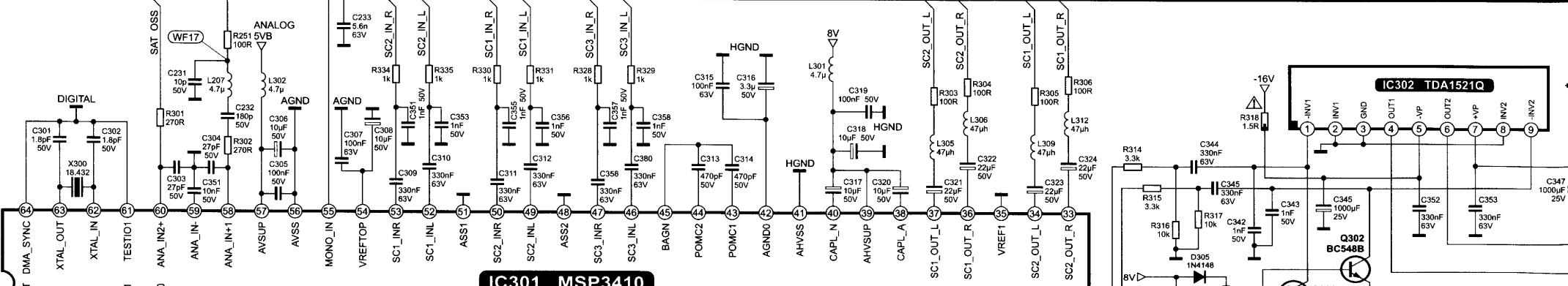
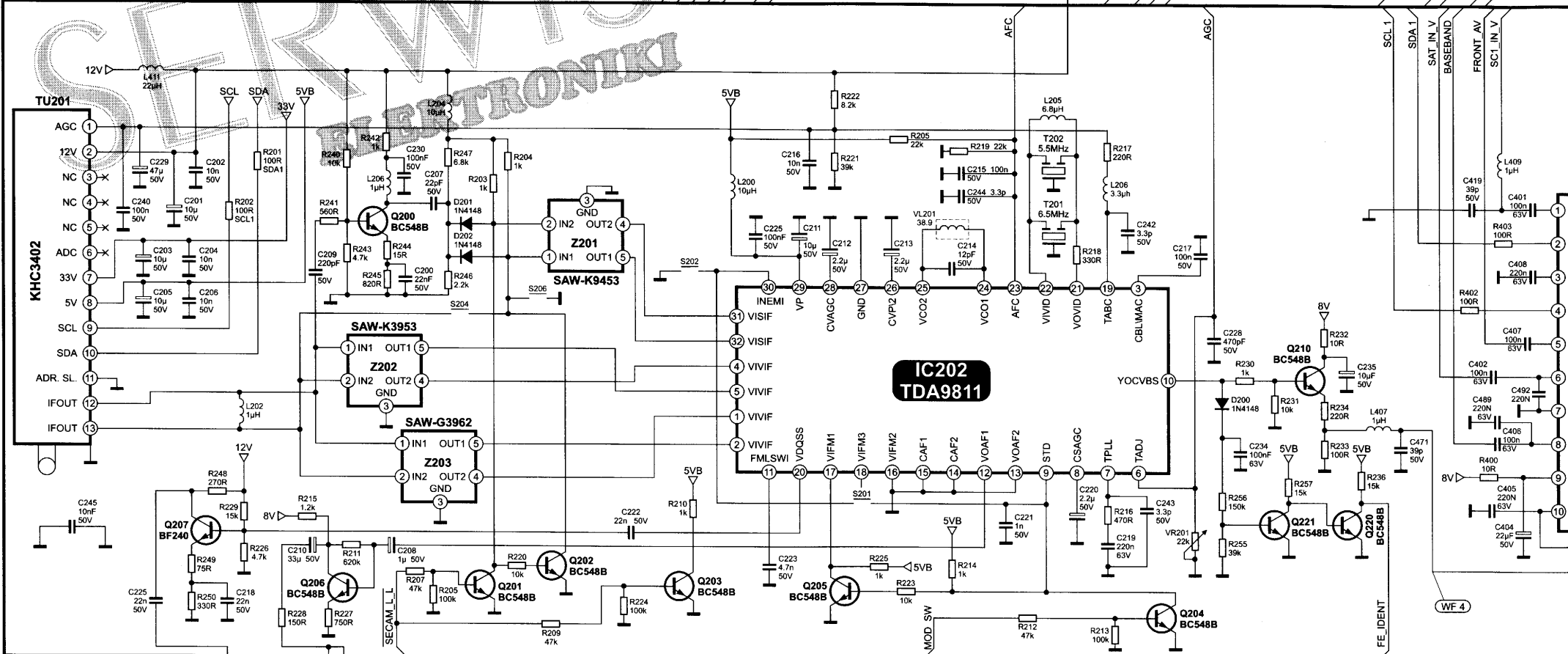
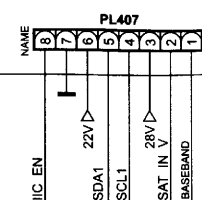
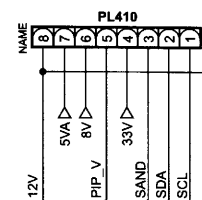
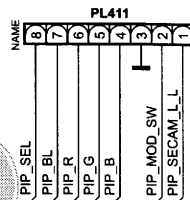
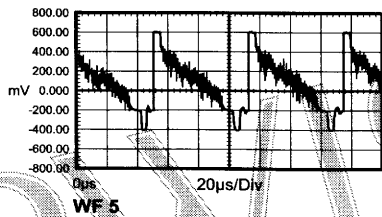
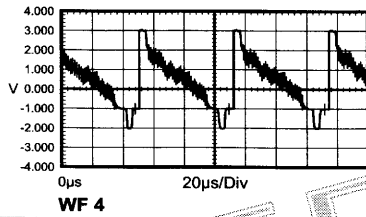


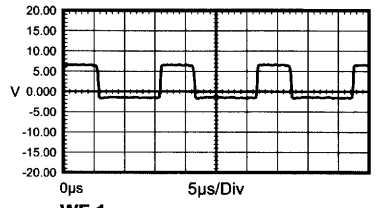
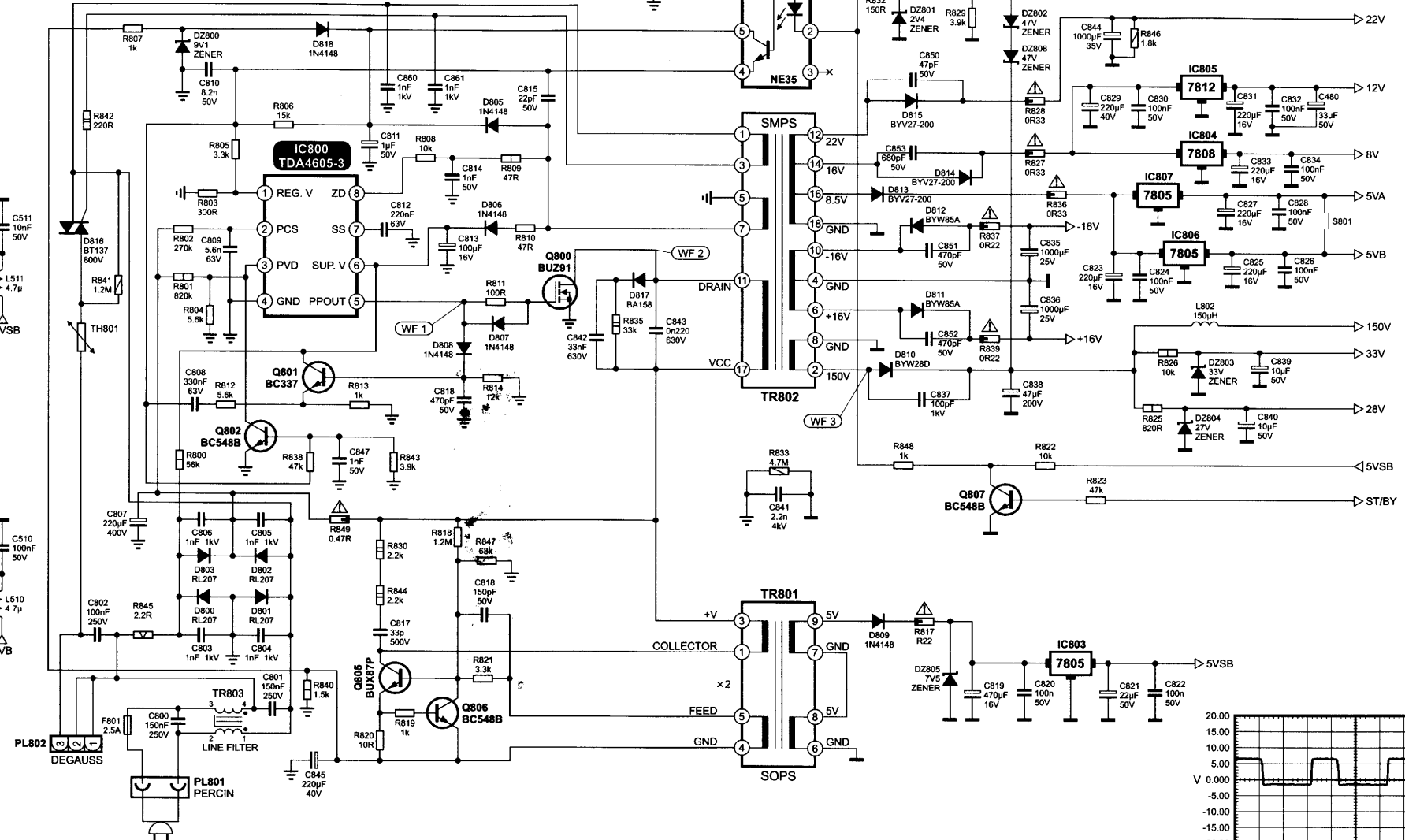
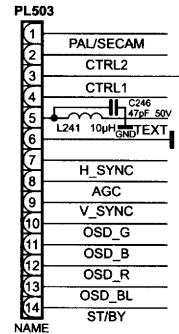
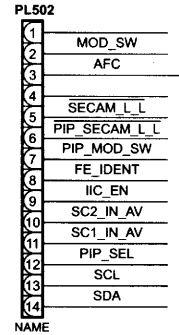
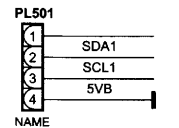
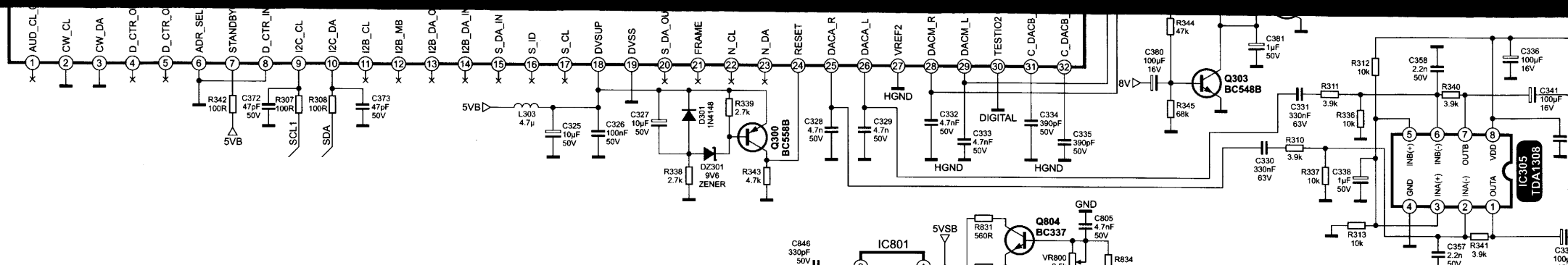
*SE 120*



DW\_SE8/2002

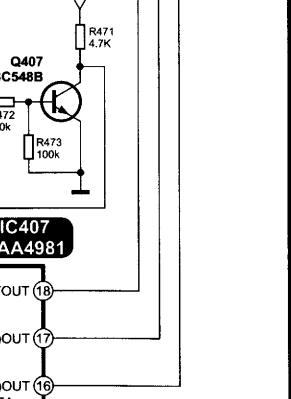
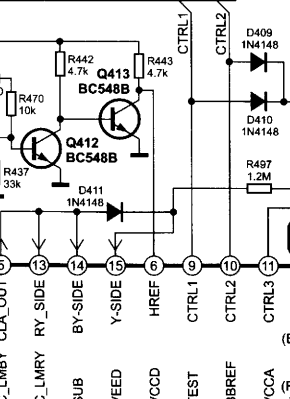
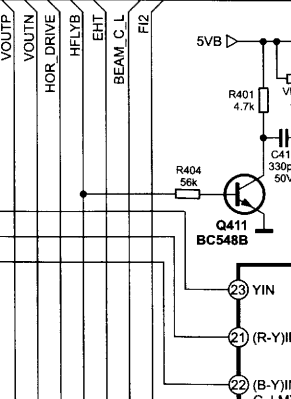
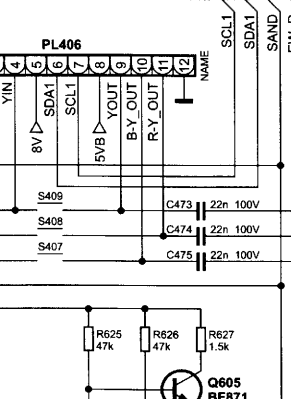
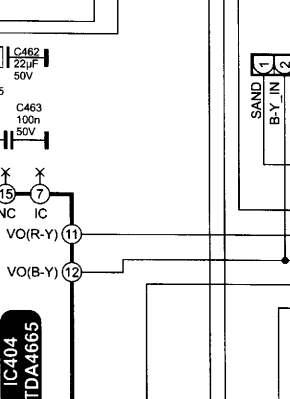
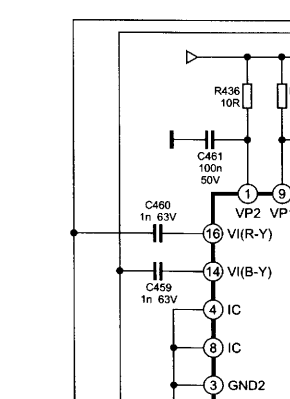
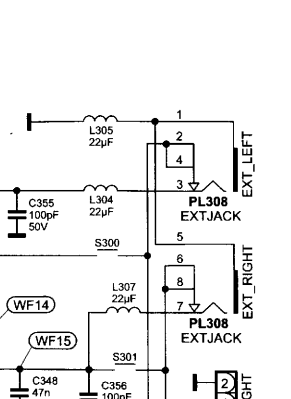
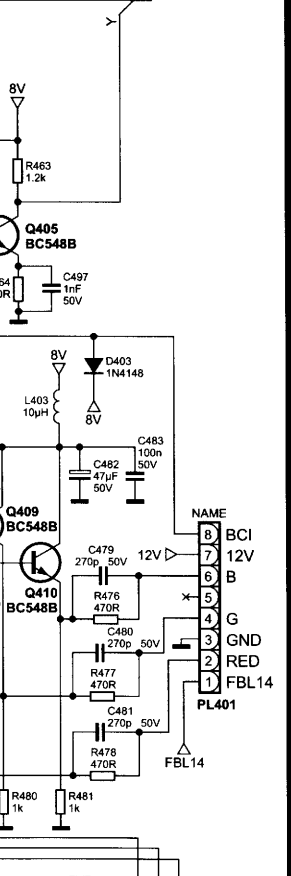
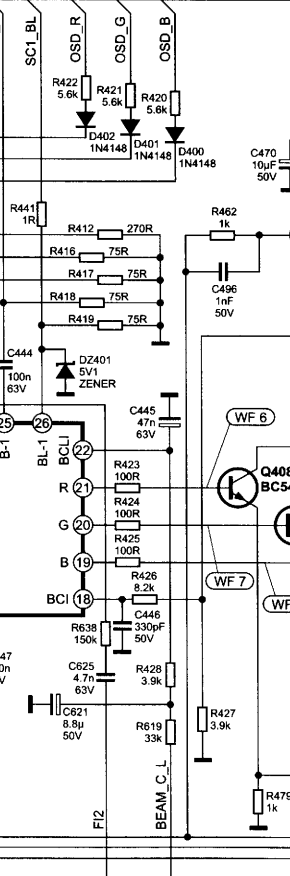
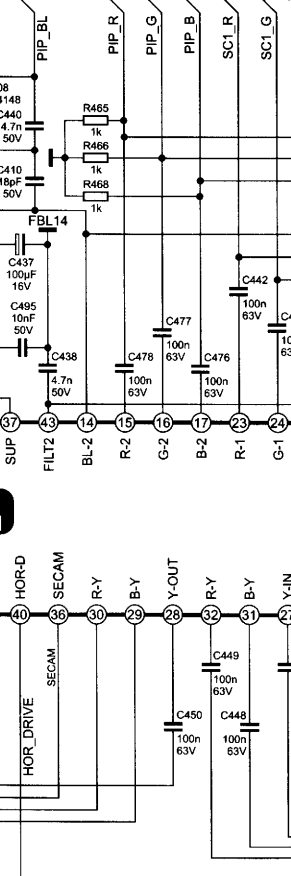
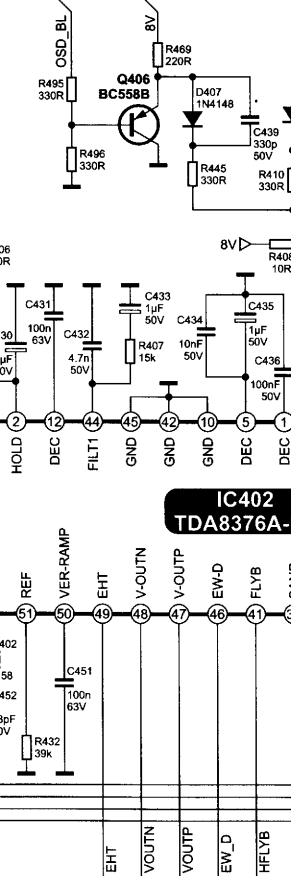
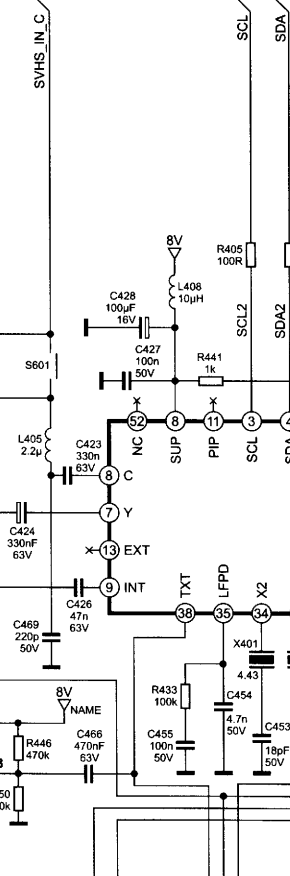
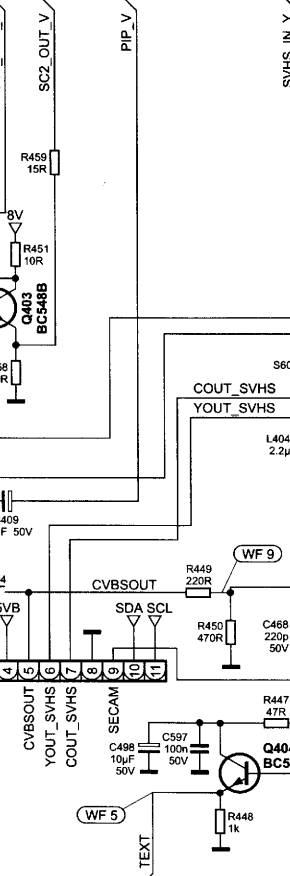
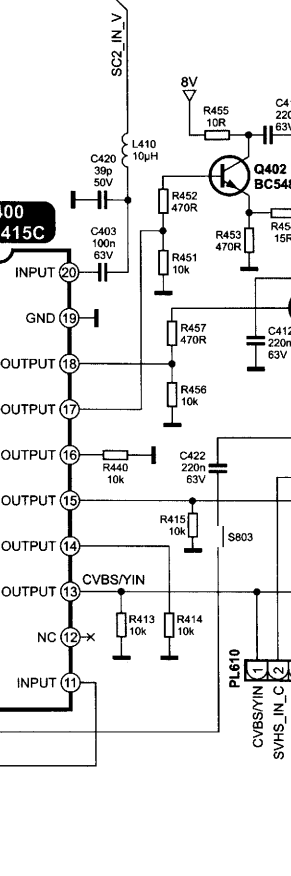
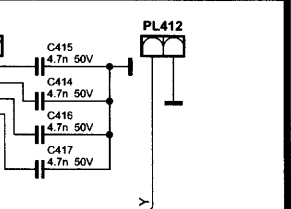
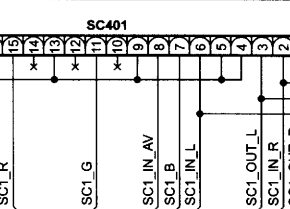
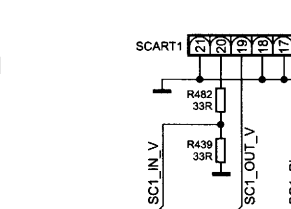
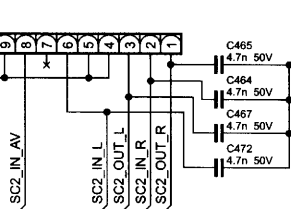
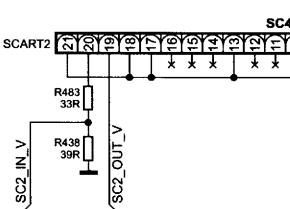
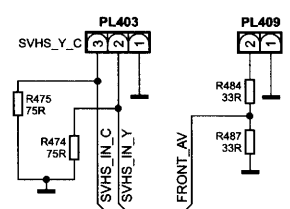
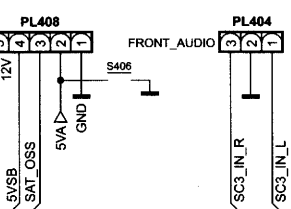
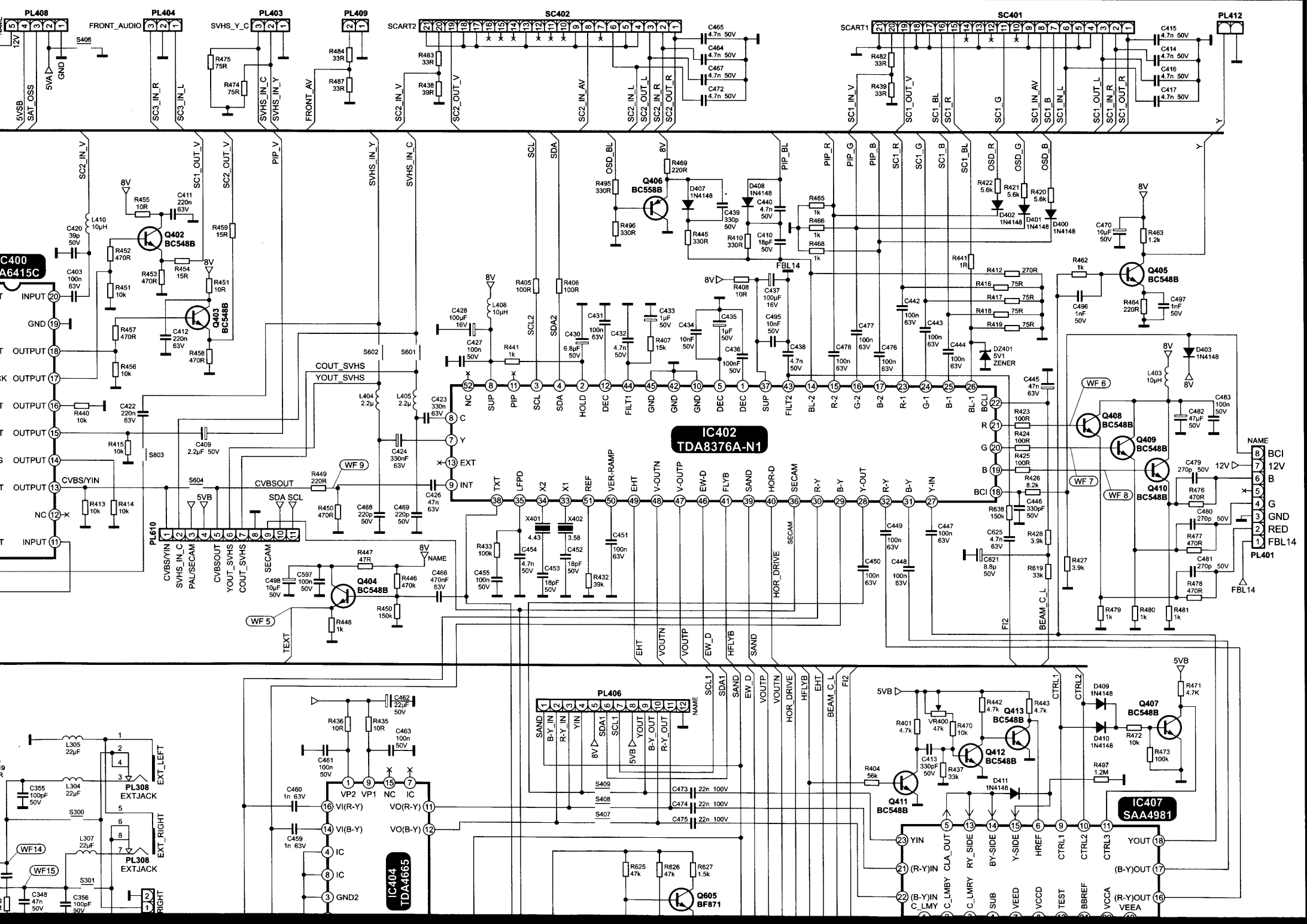
**OTVC SEG chassis 11AK16**  
(strona 2/2)

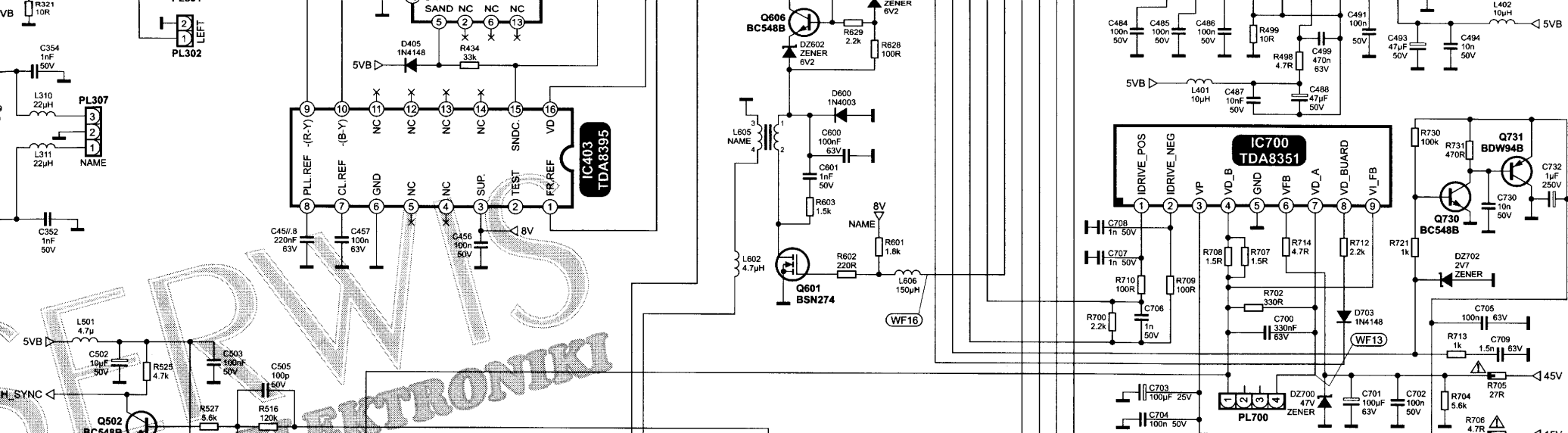




SAFETY WITH OF (ALL PR ATTEN THE MAN SPECIF

11A



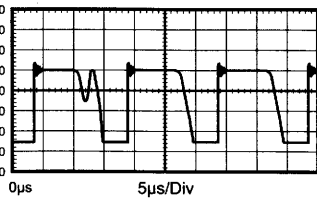


SYMBOL	POWER
	1/4W
	1/2W
	1W
	2W
	nW
	FUSE

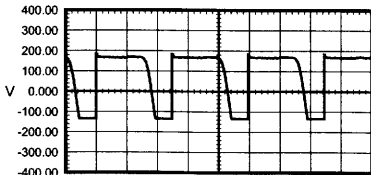
COMPONENTS MARKED WITH MUST BE REPLACED WITH ORIGINAL OR APPROVED COMPONENTS ONLY (FRONT AND REAR COVER ARE SAFETY COMPONENTS)

THE MANUFACTURER RESERVES THE RIGHT TO CHANGE THE DESIGN AND SPECIFICATIONS WITHOUT PRIOR NOTICE OR WARNING

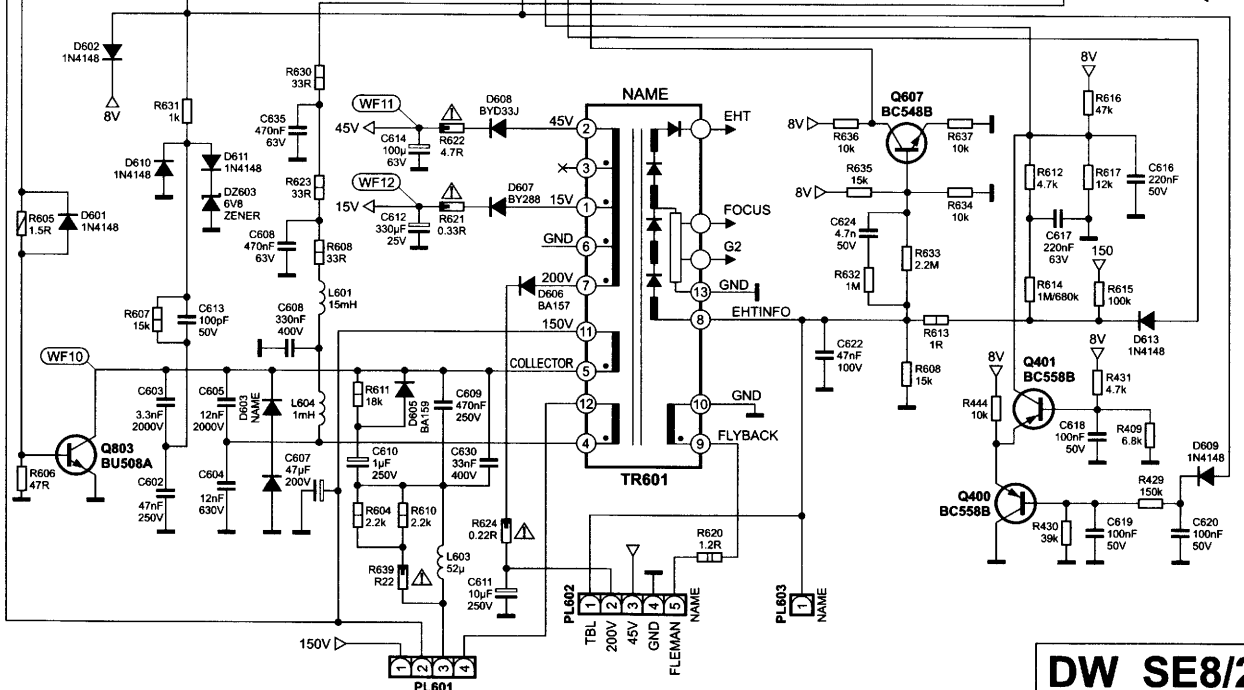
## 16A (16:9) MAIN BOARD



WF 2 5µs/Div



WF 3 4µs/Div



DW\_SE8/2002

# OTVC SEG chassis 11AK16

(strona 1/2)